

WARRANTY & DISCLAIMER

Pro Products warrants to the initial purchaser of this product that it will be free from defect in material or workmanship under normal intended use for a period of one year from the date of purchase. This limited warranty is not transferable. This limited warranty does not include those parts which fall under standard regular maintenance of an irrigation system including as set forth in the Pro Products product instructions. The remedy under this limited warranty is limited to repair or replacement, at Pro Products, LLC option, of the defective parts of the warranted product. Repair or replacement of a part does not extend the warranty beyond the initial warranty period. This is the only warranty applicable to the product. To the fullest extent allowable by law, the duration of any implied warranty applicable to the product is limited to the one year duration of this express warranty.

*GreenFeeder is designed to be used with chemicals produced by Pro Products, LLC. Any other chemicals used in the GreenFeeder will void the warranty.

LIMITATION OF LIABILITY

TO THE FULLEST EXTENT ALLOWED BY LAW, THE FOREGOING WARRANTY AND REMEDIES ARE EXCLUSIVE AND ARE IN LIEU OF ALL OTHER WARRANTIES, TERMS OR CONDITIONS, EXPRESS OR IMPLIED. THIS LIMITED WARRANTY DOES NOT APPLY TO CONDITIONS RESULTING FROM IMPROPER INSTALLATION, MISUSE, ABUSE, AND FAILURE TO FOLLOW DIRECTIONS FOR USE, UNAUTHORIZED MODIFICATIONS, NEGLIGENCE, ACCIDENT, HAZARD, ACTS OF GOD, OR THE LIKE. TO THE FULLEST EXTENT ALLOWED BY LAW, PRO PRODUCTS, LLC ALSO EXCLUDES FOR ITSELF AND ITS SUPPLIERS ANY LIABILITY, WHETHER BASED IN CONTRACT OR TORT (INCLUDING NEGLIGENCE), FOR DAMAGE TO TURF, PLANTS OR LANDSCAPE, FOR INCIDENTAL, CONSEQUENTIAL, INDIRECT, SPECIAL OR PUNITIVE DAMAGES OF ANY KIND, FOR LOSS OF REVENUE OR PROFITS, BUSINESS INTERRUPTION AND LIMITS ITS LIABILITY TO REPLACEMENT, REPAIR OR REFUND OF THE PURCHASE PRICE PAID, AT PRO PRODUCTS, LLC OPTION.

Some countries, states or provinces do not allow the exclusion or limitation of implied warranties or the limitation of incidental or consequential damages for certain consumer products, so the above limitations or exclusions may not apply to you. This warranty gives you specific legal rights that may vary depending on local law.

CONTACT INFORMATION

Pro Products, LLC
6714 Pointe Inverness Way, Suite 200
Fort Wayne, IN 46804

EMAIL info@proproducts.com
WEB www.proproducts.com

TOLL FREE 800.285.9176
FAX 260.490.9431

Preparing for Installation

Before installing the GreenFeeder, read all of the instructions carefully. It's a good idea to do a "dry run" installation (without cutting, applying glue, or assembling the tank), to be sure you understand the instructions before permanently attaching components. Each 1 gallon refill feeds up to 5,000 sq. ft. of turf per month. The device installs into a 1" line or adapts to a 3/4" line with the appropriate adapters (not included).

Where to Install Your GreenFeeder

The GreenFeeder can be installed on either a pressurized or non pressurized line. To feed your entire landscape, install the device on the pressurized side of the line (mainline) after your backflow prevention device and before all valve boxes (or "T's" in the line). All areas of the landscape down-stream from the Pro Feeder will be fertilized and/or free from pests. To feed a specific area in your landscape, install the device on a non pressurized section after the valve. A code-compliant back flow prevention device is required on all installations.



Installing the Injector

Install the GreenFeeder in a 12" standard or jumbo valve box to protect the device from the elements. Install in an area that is not likely to be flooded with water. Make sure to install the device so that there is enough room for the injector and 1 gallon bottle of fertilizer.

1. Shut off the water supply

Tip: You may also want to manually open one valve to allow water to drain out of the line.

2. Dig the hole

Dig your hole between your back flow device and the first valve box in your system. Make sure the hole is big enough to accommodate a standard valve box.

3. Cut out a Section of Pipe

Cut out the minimum amount of pipe required to accommodate the adapters you have chosen to install into sprinkler system.

4. Insert the Flow Director

The Flow Director (Part B) nozzle controls the fertilizer injection rate. Install nozzle into the side of the injector base labeled "From Main" (Figure 1) see included nozzle chart 4 the appropriate nozzle for your application.

5. Apply Teflon Tape to Threads

Apply Teflon Tape to the threads on the injector base to minimize the potential of leaking. Apply no pipe dope. See (Figure 2)

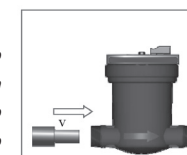


Figure 1: Insert a flow director



Figure 2: Apply Teflon Tape

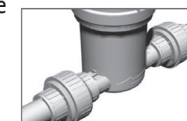


Figure 3: Typical Installation



Figure 4: Open the bottle cap and press the Blue quick connect into the opening on the bottle.

In the Box:

- The following items are included in your box
- A. Injector & Body (black section)
- B. Flow Directors (1 Blue, 1 Red)
- C. Fertilizer retrieval hose with blue quick connect Siphon
- D. Installation manual



Additional Items Needed:

The following items are not included but may be required.

- A Shovel
- Phillips Screwdriver
- PVC Cutter or Hack Saw
- PVC Primer and Glue
- Adaptors. For 1" PVC, we recommend that you purchase 1 THREADED PVC UNION (1" NPT) and 1 SLIP PVC UNION adapter (1" NPT) from the same manufacturer so that you can interchange the parts to create 2 complete union assemblies with one threaded side, and one slip side on each.
- Teflon® Pipe Tape
- Standard Valve Box (required to protect the device)

6. Install the GreenFeeder Injector (A)

Using the adapters you purchased separately for your sprinkling system, install the GreenFeeder with the arrow pointing in the direction of the water flow. Allow any glued connections to dry before pressurizing. Make sure that a Flow Director (step 4) is present before proceeding or your device may not function properly. To facilitate future access to the Injector and fittings, LEAVE THE BASE OF THE INJECTOR EXPOSED.

7. Install Valve Box

Install valve box so that underside of lid clears the top of the GreenFeeder by at least 1" to prevent interference with operation of GreenFeeder.

Attaching Fertilizer or NatureShield® Bottle

8. Attach the Siphon Hose (C) to the Siphon Cap (A)

FIRST TIME INSTALLATION ONLY: Press the gray swivel elbow (opposite the blue quick connect) over the nipple on the Siphon Cap so that it is snug and air-tight.

9. Attach the BLUE Quick Connect on the other end of the Retrieval Hose to the Bottle.

Lift the tab on the fertilizer bottle cap and press the blue adapter into the hole.

10. Self Priming

Ensure the unit is in the "ON" position. When water begins flowing through the unit, product will begin drawing through the tube. Allow 2-10 min for this to take place depending on flow rate.

Note: GreenFeeder can be installed vertically or horizontally.

*GreenFeeder is designed to be used with chemicals produced by Pro Products, LLC. Any other chemicals used in the GreenFeeder will void the warranty.

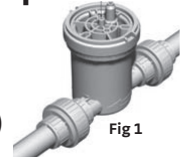
REPLACING THE INJECTOR UNIT

1 Turn OFF Water Main

Turn OFF the water main, bleed off pressure from mainline.

2 Remove Siphon Cap

Remove the screw in the center of the siphon cap. Lift off so the injector is exposed as shown. (Fig 1)

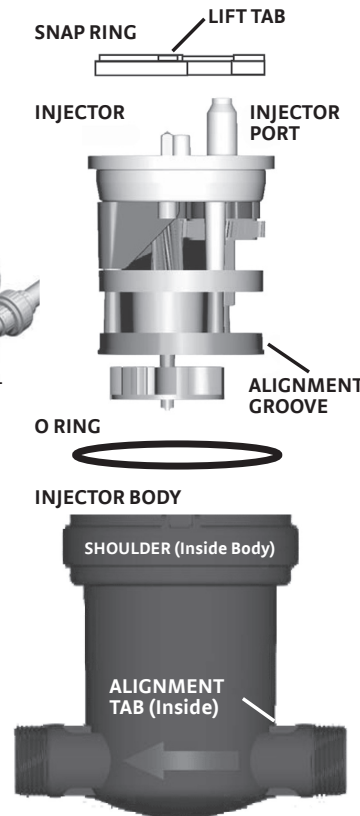


3 Remove Snap Ring

Press firmly on the top of the INJECTOR with your thumbs to relieve pressure on the SNAP RING. Insert a screw driver into the LIFT TAB and gently pull in and then up to remove the SNAP RING.

4 Remove Old Injector

Grab the INJECTOR PORT and gently pull up. The INJECTOR should slide out easily.



5 Clean & Reinsert O-Ring

Clean the O-RING. Apply a small amount of plumbers grease before reinserting to ensure a good seal. Set the O-RING on the SHOULDER inside the INJECTOR BODY

6 Insert the New Injector

Push the INJECTOR down until it stops. Turn the INJECTOR clockwise until the ALIGNMENT GROOVE & TAB meet allowing it to nest inside the INJECTOR BODY. Firmly press down to ensure a snug fit.

7 Replace the Snap Ring

Make sure the LIFT TAB on the SNAP RING is facing up and that it “snaps” into position before restoring water pressure.

8 Turn ON Water Main

STAND AWAY FROM THE INJECTOR WHILE IT IS PRESSURIZING. Check for leaks around the SNAP RING and the INJECTOR PORT. Reattach the siphon cap and continue normal use.

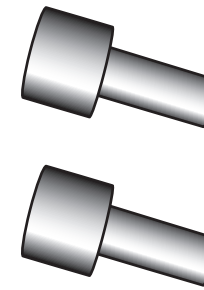
INJECTOR NOZZLE GUIDE

RECOMMENDED USE

OPERATING RANGE

	RECOMMENDED USE	OPERATING RANGE
NO NOZZLE	High flow range for spray and rotor zones. Dilution ratio of 10,000 - 15,000 : 1*	up to 40 GPM
BLUE	Moderate to High flow range. For spray and rotor zones. Dilution ratio of 4,000 - 5,000 : 1*	10 – 25 GPM
RED	Low to Moderate flow range. For spray zones and large drip zones. Dilution ratio of 2,400 - 3,600 : 1*	3 – 12 GPM

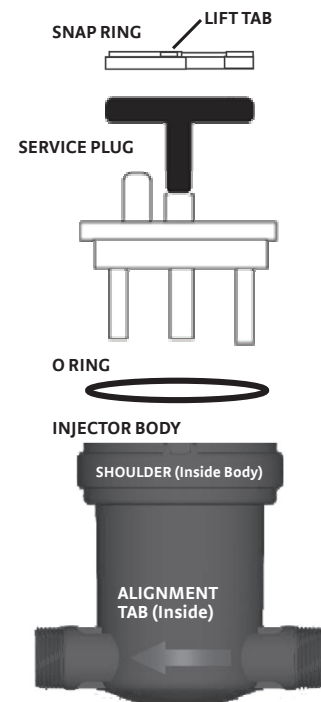
*Gallons of water : 1 gallon fertilizer



WINTERIZATION & SERVICE OF GREENFEEDER

WINTERIZATION OF THE GreenFeeder

Do not inject air into a sprinkling system that has a GreenFeeder installed without first installing a service plug or temporary bypass. Injecting air into the sprinkling system will spin the internal impeller and gear system of the GreenFeeder too fast which will cause damage to the injector. The GreenFeeder Service Plug is designed to facilitate air injection for winterization or temporary replacement of the injector element for service.



INSTALLING THE SERVICE PLUG

Turn off water main and bleed mainline pressure before proceeding.

- 1 Remove Siphon Cap
- 2 Remove Snap Ring
- 3 Gently pull out injector
- 4 Insert Service Plug
- 5 Replace snap ring
- 6 Perform winterization services
- 7 Remove Snap Ring & Plug
- 8 Clean, Grease & Replace O-Ring
- 9 Clean build-up on Injector
- 10 Insert Injector
- 11 Replace Snap Ring
- 12 Replace Siphon Cap

GREENFEEDER REPLACEMENT PARTS LIST

Part #	Description
1	A1X-GTS Internal Pump Mech
2	P1X-SVC Plug Service Plug
3	R-O Ring Internal O Ring (Black)
4	R-Snap Ring Internal Snap Ring (Yellow)
5	A1X-TK-1 P1X Tubing Kit for 1 gallon bottle
6	A1X-UP2 Second generation siphon cap